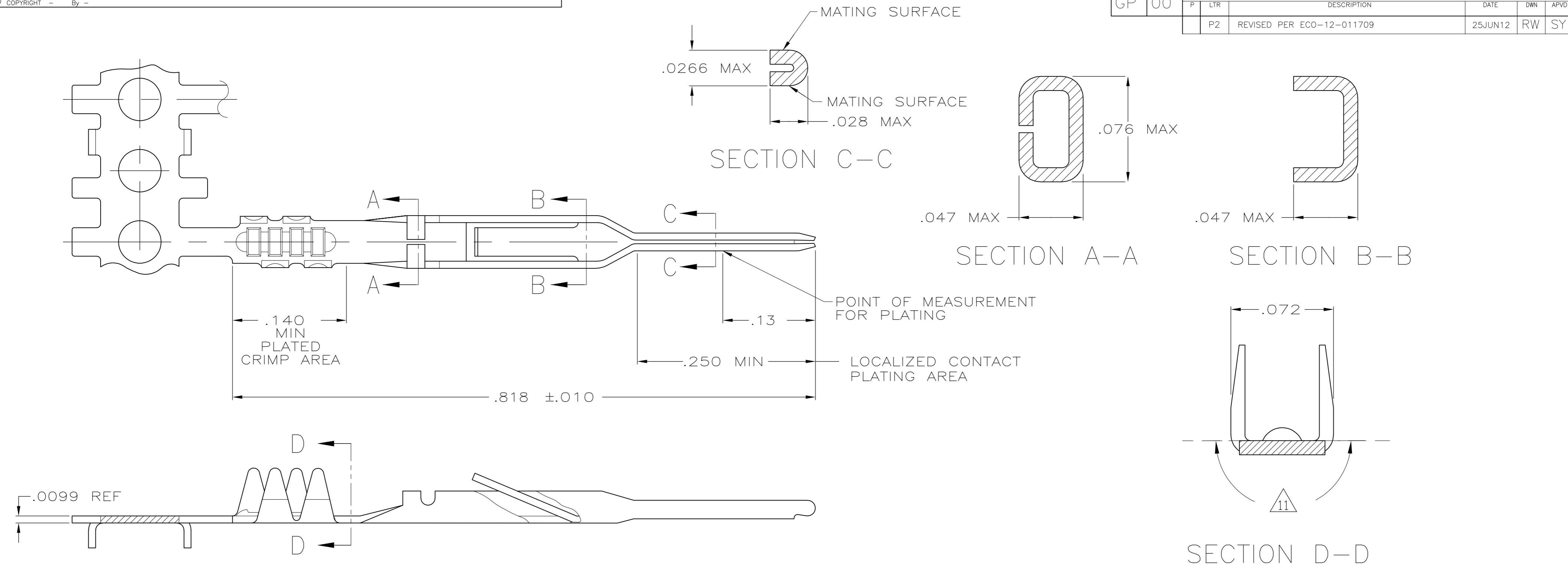


THIS DRAWING IS UNPUBLISHED. RELEASED FOR PUBLICATION
 © COPYRIGHT - By - ALL RIGHTS RESERVED.

Loc		DIST		REVISIONS			
P	LTR	DESCRIPTION		DATE	DWN	APVD	
GP	00	P2	REVISED PER ECO-12-011709	25JUN12	RW	SY	



- 1 NICKEL UNDERPLATE .000050 MIN THK ON ENTIRE CONTACT WITH GOLD .000050 THK ON LOCALIZED PLATE AREA AND BRIGHT TIN-LEAD .000100 MIN THK IN CRIMP AREA, -OR- GOLD FLASH OVER PALLADIUM-NICKEL, .000050 MIN TOTAL THK IN LOCALIZED CONTACT PLATING AREA AND BRIGHT TIN-LEAD .000100 MIN THK IN CRIMP AREA, BOTH OVER .000050 MIN NICKEL ON ENTIRE CONTACT.
- 2 NICKEL UNDERPLATE .000050 MIN THK ON ENTIRE CONTACT WITH GOLD .000015 THK ON LOCALIZED PLATE AREA AND BRIGHT TIN-LEAD .000100 MIN THK IN CRIMP AREA, -OR- GOLD FLASH OVER PALLADIUM-NICKEL, .000015 MIN TOTAL THK IN LOCALIZED CONTACT PLATING AREA AND BRIGHT TIN-LEAD .000100 MIN THK IN CRIMP AREA, BOTH OVER .000050 MIN NICKEL ON ENTIRE CONTACT.
- 3 NICKEL UNDERPLATE .000050 MIN THK ON ENTIRE CONTACT WITH GOLD .000030 THK ON LOCALIZED PLATE AREA AND BRIGHT TIN-LEAD .000100 MIN THK IN CRIMP AREA, -OR- GOLD FLASH OVER PALLADIUM-NICKEL, .000030 MIN TOTAL THK IN LOCALIZED CONTACT PLATING AREA AND BRIGHT TIN-LEAD .000100 MIN THK IN CRIMP AREA, BOTH OVER .000050 MIN NICKEL ON ENTIRE CONTACT.
- 4 BRIGHT TIN-LEAD .000100 MIN THK OVER NICKEL UNDERPLATE .000050 MIN THK ON ENTIRE CONTACT.
- 5 GOLD .000030 THK ON ENTIRE CONTACT, EXCEPT .000003 MIN THK PERMISSIBLE ON INTERIOR OF CONTACT NOSE, OVER NICKEL .000050 THK ON ENTIRE CONTACT.
- 6 GOLD FLASH IN PLATED CRIMP AREA, .000100 MIN TIN ON LOCALIZED CONTACT PLATING AREA, BOTH OVER .000050 MIN NICKEL ON ENTIRE CONTACT.

- 7 .000050 MIN GOLD ON LOCALIZED PLATE AREA, GOLD FLASH IN PLATED CRIMP AREA, BOTH OVER .000050 MIN NICKEL ON ENTIRE CONTACT, -OR- GOLD FLASH OVER PALLADIUM-NICKEL, .000050 MIN TOTAL THK IN LOCALIZED CONTACT PLATING AREA AND GOLD FLASH ON REMAINDER OVER .000050 MIN NICKEL ON ENTIRE CONTACT.
- 8 .000015 MIN GOLD ON LOCALIZED PLATE AREA, GOLD FLASH IN PLATED CRIMP AREA, BOTH OVER .000050 MIN NICKEL ON ENTIRE CONTACT, -OR- GOLD FLASH OVER PALLADIUM-NICKEL, .000015 MIN TOTAL THK IN LOCALIZED CONTACT PLATING AREA AND GOLD FLASH ON REMAINDER OVER .000050 MIN NICKEL ON ENTIRE CONTACT.
- 9 .000030 MIN GOLD ON LOCALIZED PLATE AREA, GOLD FLASH IN PLATED CRIMP AREA, BOTH OVER .000050 MIN NICKEL ON ENTIRE CONTACT, -OR- GOLD FLASH OVER PALLADIUM-NICKEL, .000030 MIN TOTAL THK IN LOCALIZED CONTACT PLATING AREA AND GOLD FLASH ON REMAINDER OVER .000050 MIN NICKEL ON ENTIRE CONTACT.
- 10 OBSOLETE PARTS: OBSOLETE CIS STREAMLINING PER D.RENAUD/D.SINISI
- 11 GOLD PLATING MAY OR MAY NOT BE PRESENT ON THE BOTTOM OF THE CRIMP BARREL IN THIS AREA.

11	9	1-88117-0
11	8	88117-9
10	7	88117-8
11	6	88117-7
OBSOLETE	5	88117-6
	4	88117-5
	3	88117-4
	2	88117-3
10	1	88117-2
		FNSH PART NO

THIS DRAWING IS A CONTROLLED DOCUMENT.		DWN P.BERRY 3-21-86	TE Connectivity	
DIMENSIONS: INCHES		CHK D.R.WORTHINGTON 3-24-86	CONTACT, .025 SQ PIN	
TOLERANCES UNLESS OTHERWISE SPECIFIED:		APVD -	NAME	
0 PLC ± -		PRODUCT SPEC -	SIZE CAGE CODE DRAWING NO	
1 PLC ± -		APPLICATION SPEC 114-16015	RESTRICTED TO	
2 PLC ± .02		WEIGHT -	A2 00779 C=88117	
3 PLC ± .005		CUSTOMER DRAWING	SCALE NTS SHEET 1 of 1 REV P2	
4 PLC ± -				
ANGLES ± -				
FINISH SEE TABLE				